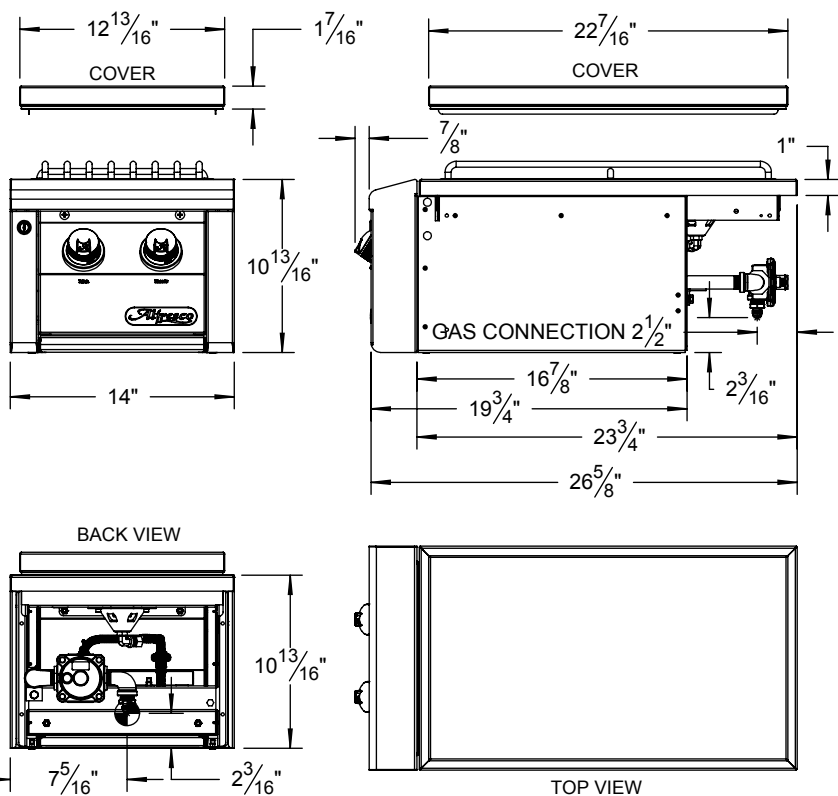
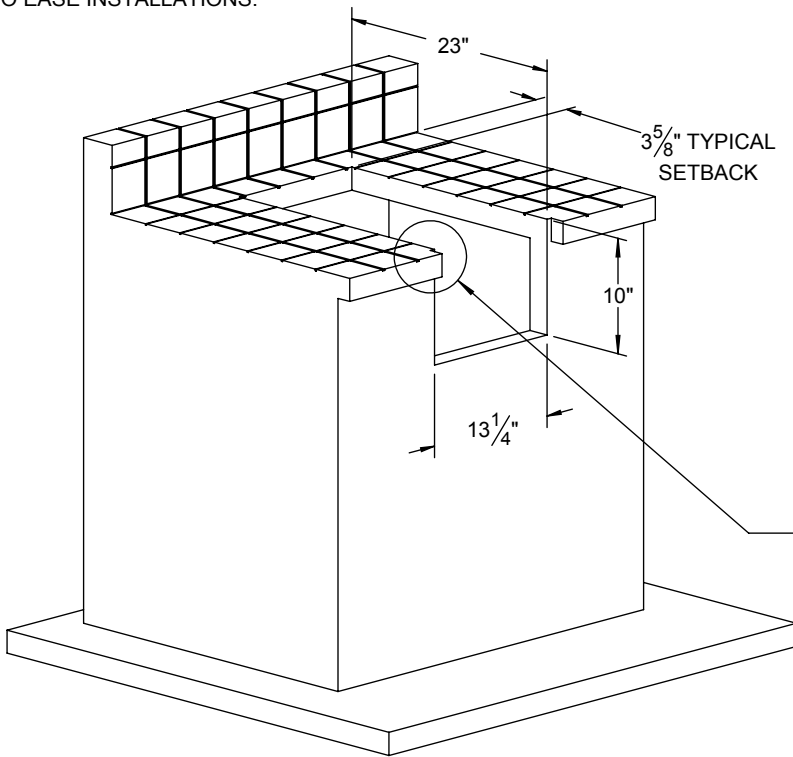


AXESB-2 TYPICAL INSTALLATION



COUNTERTOP CUTOUT REQUIREMENTS

NOTE: A GAS LINE IS REQUIRED INSIDE THE COUNTER FOR OPERATION FOR LP-GAS SETUP SEE NOTE AT RIGHT. IT IS RECOMMENDED THAT A FLEXIBLE HOSE IS USED FOR NG-GAS SETUPS TO EASE INSTALLATIONS.



LP GAS SETUP:

REGULATOR WITH 36" HOSE

ADAPTER: 1/2" MPT X 3/8" MPT

NOTE: STANDARD UNIT HAS A NATURAL GAS (NG) CONNECTION WITH 1/2" FPT FITTING.

IF LIQUID PROPANE (LP) OPTION IS ORDERED THE UNIT IS SUPPLIED WITH A REGULATOR, HOSE AND ADAPTER FITTING AS SHOWN.

SPECIFICATIONS:

BTUH = 40,000
 FUEL = NG @ 5" W.C. OR LP @ 10" W.C.
 ELECTRICAL POWER = 9 VDC BATTERY
 GAS CONNECTION = 1/2" NPT (NG) OR 3/8" ODF (LP)



THE INFORMATION CONTAINED IN THIS DRAWING IS THE SOLE PROPERTY OF SUPERIOR EQUIPMENT SOLUTIONS INC. ANY REPRODUCTION IN PART OR AS A WHOLE WITHOUT WRITTEN PERMISSION FROM SUPERIOR EQUIPMENT SOLUTIONS, INC. IS PROHIBITED.

DRAWN BY: ADRIAN CRISCI
CREATED: 08/10/2015

PROJECT TITLE:
AXESB-2

DRAWING TITLE:
AXESB-2 SIDE BURNER SPECIFICATIONS

DRAWING NO.: AXESB-2 SPEC SHEET
 SHEET 1 OF 1